

Brine chiller – indoor installation type: MCL 100-12-E

Offer: **Bitte eintragen**
Position: **Bitte eintragen**

TECHNICAL DATA SHEET

Temperature cold (forward / return)	°C	7 / 12
Temperature warm (forward / return)	°C	48 / 40
Maximum ambient temperature	°C	30
Minimum ambient temperature	°C	0

GENERAL DESIGN DATA

Cooling capacity	kW	64,1
Condensing capacity	kW	84,7
Power consumption in the design point	kW	21,0
EER		3,0
Current consumption at the design point	A	43
Maximum electrical absorption	A	58,3
Mainhost power supply	V / PH / Hz	380-420V Y/YY -3- 50Hz

COMPRESSOR

Refrigerant		Propane (R290)
Refrigerant charge	g	2.100
Compressor type		semi-hermetic reciprocating compressor
Number of compressors		1
Power levels frequency converter		3 (33/66/100%)

EVAPORATOR / CONDENSER (liquid applied)

Type		Multi-channel plate heat exchanger (soldered)
Material		stainless steel/copper
Number		1
injection valve		electronic
Cold transfer medium		Ethylene glycol 34%
Volume flow	m ³ /h	8,4
Pressure drop	kPa	20
Heat transfer medium		Ethylene glycol 34%
Volume flow	m ³ /h	9,7
Pressure drop	kPa	62

SAFETY CONCEPT

Gas detection system		2-stage – ATEX
Safety exhaust		Exhaust fan for combustible gases

INTERFACE

forward / return cold		Victaulic 42,4 - TYP75 flexible
forward / return warm		Victaulic 42,4 - TYP75 flexible
Connection power supply		machine connector Phoenix HC-B
Control connection		machine connector Phoenix HC-B
Connection of sensors / gas warning system		machine connector Phoenix HC-B
Suction safety device pipe		pipe DN50
Floor mounting		4x feet with vibration damper (height adjustable)

CONTROL CABINET / CONTROL (separate item in the offer)

D-Bus-Interface		ModBus RTU or TCP
CPU		Siemens Climatix
Visualisation		Siemens HMI POL871.71/STD

Brine chiller – indoor installation type: MCL 100-12-E

NOISE EMISSION

Sound pressure level in 5m	dB(A)	48
Sound measurement acc. to DIN 45635 -1:1984-04		

DIMENSIONS AND WEIGHT

Length	mm	1399
Width	mm	690 – 760
Height with vibration dampers	mm	783
Transport weight	kg	400

TECHNICAL DRAWING / ILLUSTRATION

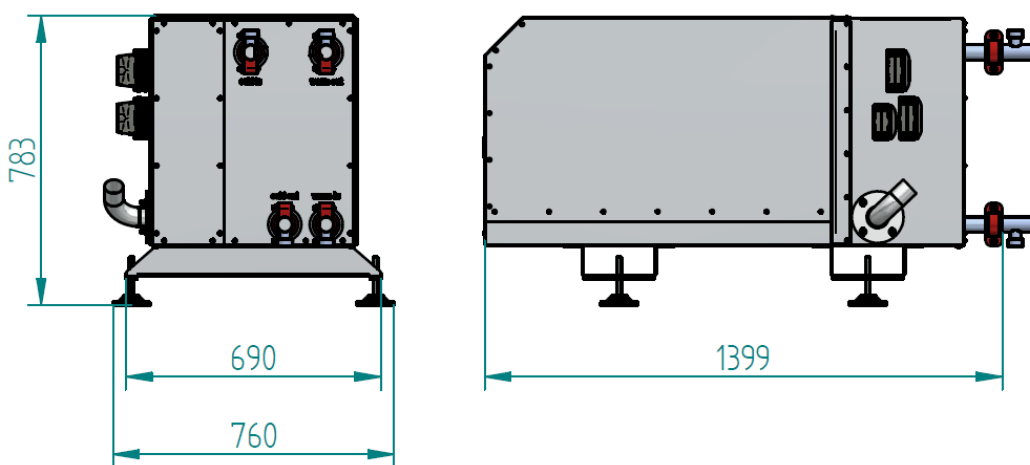


Illustration exemplary

The text and the illustrations correspond to the technical status at the time of printing, subject to change. Despite careful processing, all information is without warranty. Further liability shall be excluded.