

Brine chiller (air-cooled) – outdoor installation type: MAC 2/2. 33 – 5
Offer: Bitte eintragen
Position: Bitte eintragen

TECHNICAL DATA SHEET

GENERAL DESIGN DATA

| | | |
|---|-------------|------------------------|
| Temperature cold (forward / return) | °C | 12 / 7 |
| Air inlet ambient temperature | °C | 35 |
| Maximum ambient temperature | °C | 40 |
| Minimum ambient temperature | °C | -15 |
| Cooling capacity | kW | 47,6 |
| EER | | 3,4 |
| Mainhost power supply | V / PH / Hz | 380-420V Y/YY -3- 50Hz |
| Maximum electrical absorption | A | 40 |
| Refrigerant cycle | | 2 |
| Refrigerant | | Propane (R290) |
| Refrigerant charge (apiece Refrigerant cycle) | g | 5 |
| Cold transfer medium | | Water |

COMPRESSOR

| | | |
|---|----|--|
| Compressor type | | semi-hermetic reciprocating compressor |
| Number of compressors | | 2 |
| staged power control | | 2x control stage switching |
| Total Power consumption | kW | 14,2 |
| Power levels frequency converter | A | 24,4 |
| Maximum electrical absorption (apiece compressor) | A | 18 |

CONDENSER (air applied)

| | | |
|-------------------------|----|------------------|
| Type | | Aluminium finned |
| Material (Pipe) | | copper |
| Fan number | | 1 |
| Fan type | | EC |
| Total Power consumption | kW | 1 |

EVAPORATOR (liquid applied)

| | | |
|----------------------------------|-------------------|---|
| Type | | Multi-channel plate heat exchanger (soldered) |
| Material | | stainless steel/copper |
| Number | | 1 |
| injection valve | | electronic |
| Volume flow Cold transfer medium | m ³ /h | 8,1 |
| Pressure drop | kPa | ca. 50 |

SAFETY CONCEPT

| | | |
|----------------------|--|-----------------------------------|
| Gas detection system | | 2-stage – ATEX |
| Safety exhaust | | Exhaust fan for combustible gases |

CONTROL CABINET / CONTROL (separate item in the offer)

| | | |
|-----------------|--|---------------------------|
| D-Bus-Interface | | ModBus RTU oder TCP |
| CPU | | Siemens Climatix |
| Visualisation | | Siemens HMI POL871.71/STD |

Brine chiller – outdoor installation type: MAC 2/2. 33 – 5

INTERFACE

| | |
|---|---|
| forward / return cold | flange connection DN 40 bolt circle-Ø 110 mm |
| Connection terminals supply line * | Connecting terminal plate 3L+N+PE |
| Floor mounting | 6x feet with vibration damper (height adjustable) |
| * The cable cross-section is to be calculated according to the applicable regulations and can vary depending on the cable length, type of installation and other factors. | |

PURCHASER SPECIFIC REQUIREMENTS

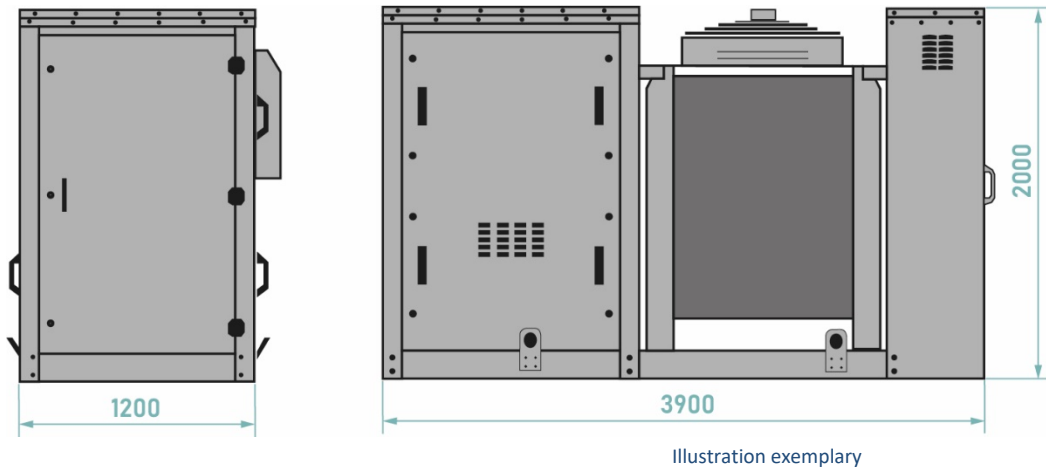
NOISE EMISSION

| | | |
|-----------------------------|-------|----|
| Sound pressure level in 10m | dB(A) | 50 |
|-----------------------------|-------|----|

DIMENSIONS AND WEIGHT

| | | |
|-------------------------------|----|------|
| Length | mm | 3900 |
| Width | mm | 1204 |
| Height with vibration dampers | mm | 2000 |
| Transport weight | kg | 1900 |

TECHNICAL DRAWING / ILLUSTRATION



The text and the illustrations correspond to the technical status at the time of printing, subject to change. Despite careful processing, all information is without warranty. Further liability shall be excluded.