

Brine chiller (air-cooled) – outdoor installation type: MAC 1/1. 22 – 3

Offer: Bitte eintragen
Position: Bitte eintragen

TECHNICAL DATA SHEET

GENERAL DESIGN DATA

Temperature cold (forward / return)	°C	-8 / -4
Air inlet ambient temperature	°C	35
Maximum ambient temperature	°C	40
Minimum ambient temperature	°C	-15
Cooling capacity	kW	11,4 (at 70Hz)
EER		2,0
Mainhost power supply	V / PH / Hz	380-420V Y/YY -3- 50Hz
Maximum electrical absorption	A	14
Refrigerant cycle		1
Refrigerant		Propane (R290)
Refrigerant charge (apiece Refrigerant cycle)	g	ca. 3
Cold transfer medium		Ethylene glycole 34%

COMPRESSOR

Compressor type		semi-hermetic reciprocating compressor
Number of compressors		1
staged power control		FU
Total Power consumption	kW	5,6
Power levels frequency converter	A	-
Maximum electrical absorption (apiece compressor)	A	12,2

CONDENSER (air applied)

Type		Aluminium finned
Material (Pipe)		copper
Fan number		1
Fan type		EC
Total Power consumption	kW	1

EVAPORATOR (liquid applied)

Type		Multi-channel plate heat exchanger (soldered)
Material		stainless steel/copper
Number		1
injection valve		electronic
Volume flow Cold transfer medium	m ³ /h	2,7
Pressure drop	kPa	ca. 50

SAFETY CONCEPT

Gas detection system		2-stage – ATEX
Safety exhaust		Exhaust fan for combustible gases

CONTROL CABINET / CONTROL (separate item in the offer)

D-Bus-Interface		ModBus RTU oder TCP
CPU		Siemens Climatix
Visualisation		Siemens HMI POL871.71/STD

Brine chiller – outdoor installation type: MAC 1/1. 22 – 3

INTERFACE

forward / return cold	flange connection DN 32 bolt circle-Ø 100 mm
Connection terminals supply line *	Connecting terminal plate 3L+N+PE
Floor mounting	6x feet with vibration damper (height adjustable)

* The cable cross-section is to be calculated according to the applicable regulations and can vary depending on the cable length, type of installation and other factors.

PURCHASER SPECIFIC REQUIREMENTS

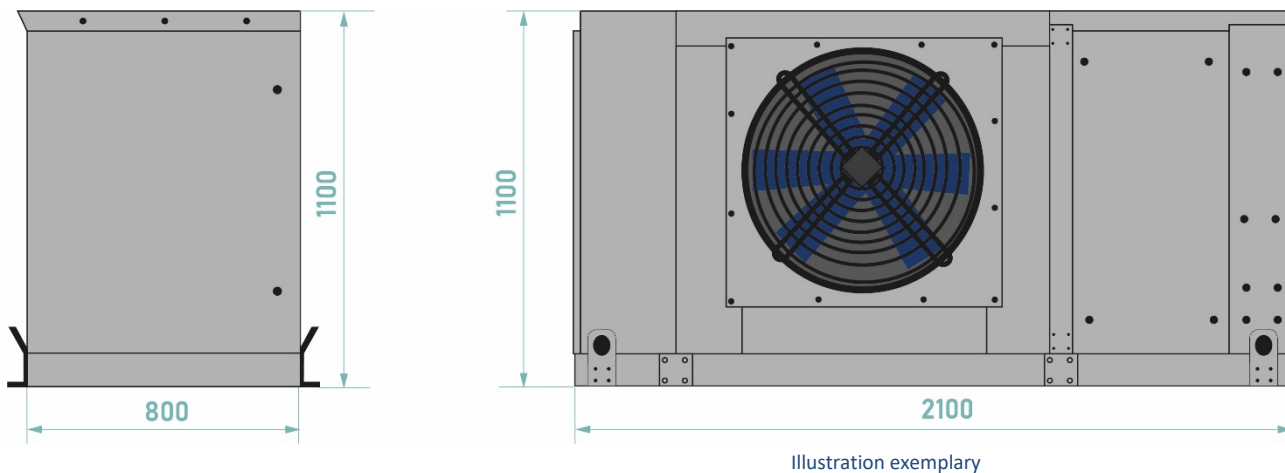
NOISE EMISSION

Sound pressure level in 10m	dB(A)	49
-----------------------------	-------	----

DIMENSIONS AND WEIGHT

Length	mm	2100
Width	mm	900
Height with vibration dampers	mm	1100
Transport weight	kg	500

TECHNICAL DRAWING / ILLUSTRATION



The text and the illustrations correspond to the technical status at the time of printing, subject to change. Despite careful processing, all information is without warranty. Further liability shall be excluded.